



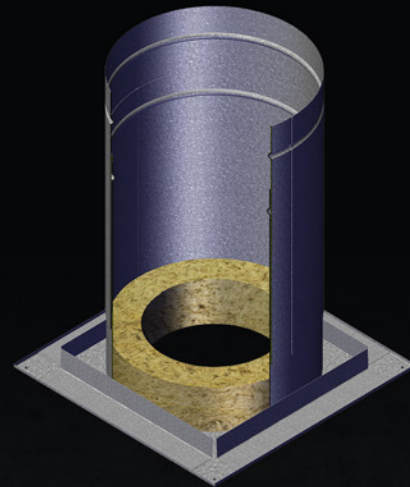
INTRODUCING

# THE EVOLUTION OF EXCEL CHIMNEY – BLACK LABEL

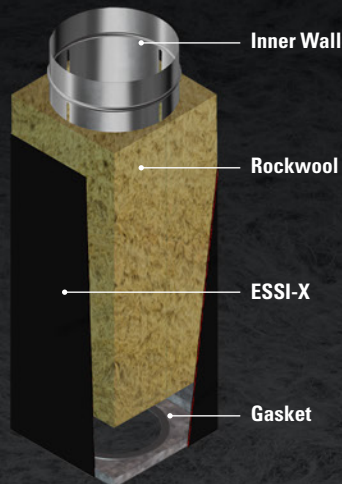
Black Label is the same EXCEL chimney you know and love,  
except now it has a black UL listing label, and...



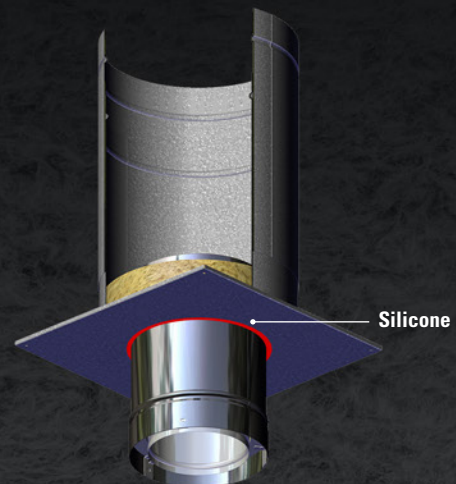
**No more Radiation Shield Tubes**  
(ERSA, ERSCA, ERST, ERSF, or ERSF10)



**All firestops are insulated**



**Installation is even faster**  
(if that's possible)



**Firestops can be sealed with silicone**

## IF IT AIN'T BROKE, WHY FIX IT?

- Home construction has evolved since EXCEL was originally developed thirty-five years ago. Customer expectations have evolved along with it. Today's customers expect that their homes will be sealed airtight and insulated at every possible penetration.
- 

## WHAT'S DIFFERENT IN THE PRODUCT?

- The UL listing label is now black.
  - EXCEL Black Label contains 30% more insulation. It's denser, not thicker, so it still has a 1" wall.
  - Leveling clips are included at the bottom of every length and elbow. They help align sections during assembly to ensure they'll be straight once they're stacked. No more compressing insulation between the lengths to align the pre-punched holes. Just stack the lengths, align the seam, the holes will line up and lengths are dead straight, every time.
  - The bead on Black Label is more pronounced. It adds rigidity, making the connections more solid.
- 

## WHAT'S THE SAME?

- Almost everything else. **Black Label is EXCEL**, but with some small modifications and tons of new advantages. The ultimate goal is to keep all the features you love about EXCEL, while eliminating those you don't.

# COMPATIBILITY BETWEEN CLASSIC EXCEL AND BLACK LABEL.

Components designed for use with Black Label have a -X (e.g. XC-6EL48-X) at the end of their product code and the packaging label is gold in color. This makes them easy to identify and separate when necessary.

| EXCEL AND EXCEL-BLACK LABEL COMPATIBILITY CHART                                      |   |  |  |   |  |
|--|---|--|--|---|--|
| EXCEL PIPES WITH EXCEL COMPONENTS  |   | EXCEL-X PIPES WITH EXCEL COMPONENTS  |  | EXCEL-X PIPES AND EXCEL-X COMPONENTS  |  |
| Old EXCEL chimney sections (White labels)  |   | New EXCEL-X chimney sections (Black Label)   |  | New EXCEL-X chimney sections (Black Label)  |  |
| EL   | Chimney Length  | EL-X   | Chimney Length                         | EL-X  | Chimney Length                         |
| ELA18  | Adjustable Length   | ELA18-X  | Adjustable Length                      | ELA18-X   | Adjustable Length                      |
| EE15   | Elbows 15°  | EE15-X   | Elbows 15°                             | EE15-X  | Elbows 15°                             |
| EE30   | Elbows 30°  | EE30-X   | Elbows 30°                             | EE30-X  | Elbows 30°                             |
| EE45   | Elbows 45°  | EE45-X   | Elbows 45°                             | EE45-X  | Elbows 45°                             |
| ETI  | 90° Tee   | ETI-X  | 90° Tee                                | ETI-X   | 90° Tee                                |
| Old EXCEL components (White and Black labels)  |   | Old EXCEL components (White and Black labels)  |  | New EXCEL-X Components (Black labels only)  |  |
| ETC  | Tee Cap   | ETC  | Tee Cap                                | ETC-X   | Tee Cap Insulated                      |
| EITC   | Tee Cap Insulated   | EITC   | Tee Cap Insulated                      | ERDSI-X   | Round Support Insulated                |
| ERDS   | Round Support   | ERDS   | Round Support                          |   |  |
| ERDSI  | Round Support Insulated   | ERDSI  | Round Support Insulated                | ESSI-X  | Square Support Insulated               |
| ERDSE  | Round Support Extension   | ERDSE  | Round Support Extension                |   |  |
| ESS  | Square Support  | ESS  | Square Support                         | EWRSI-X   | Wall Radiation Shield Insulated        |
| ESS+EIS  | Square Support + Insulation sleeve  | ESS+EIS  | Square Support + Insulation sleeve     |   |  |
| ESSE   | Square Support Extension  | ESSE   | Square Support Extension               | ERSI-X  | Radiation Shield                       |
| EWRS   | Wall Radiation Shield   | EWRS   | Wall Radiation Shield                  |   |  |
| EWRSI  | Wall Radiation Shield Insulated   | EWRSI  | Wall Radiation Shield Insulated        | ERSCI-X   | Radiation Shield for Cathedral Ceiling |
| ERS / ERSA   | Radiation Shield  | ERS / ERSA   | Radiation Shield                       |   |  |
| ERSC / ERSCA   | Radiation Shield for Cathedral Ceiling  | ERSC / ERSCA   | Radiation Shield for Cathedral Ceiling | ESC-X   | Universal Collar Oversized             |
| ESC  | All Storm Collars are being gradually replaced by the new ESC-X version which is slightly wider to accommodate Black Label Radiation Shields. |  |  |   |  |
|  | Use only the wider version on a Black Label Radiation Shields (ERSI-X). Either version is applicable for installations at the flashing.       |  |  |   |  |
| Follow these installation instructions   |   | Follow these installation instructions   |  | Follow these installation instructions  |  |
| Canada   | XLCND-II_2025-12  | Canada   | XLCND-II_2025-12                       | Canada  | XL-X-UL_2025-03                        |
| USA  | XLUSA-II_2025-03  | USA  | XLUSA-II_2025-03                       |   |  |
| Use tubes for Canadian installations and no sealing allowed at the building envelope |   | Use tubes for Canadian installations and no sealing allowed at the building envelope |  | No tubes needed for Canadian installations and can be sealed at the building envelope |  |

All other parts not listed in this table are compatible with all 3 systems configurations

As shown, Black Label lengths, elbows and tees cannot be mixed with the current EXCEL due to the different listing agencies. The current EXCEL is listed with Intertek and Black Label is listed with UL. The different listing agencies cannot approve the products for use together. Therefore, the transition to Black Label will require your involvement, as well as that of your distributor.



Installations of Black Label will take less time to complete and use fewer parts. The finished installations will be better sealed, better insulated, and respond to the needs of modern home construction.

Changing to Black Label requires your involvement to move through existing inventory. Completing systems with your current components will help move through stock. You can currently continue ordering Classic EXCEL, but a final order date will eventually be announced.

We're excited about the opportunity that Black Label brings to the market and will do everything in our power to facilitate the transition.



Check out our  
EXCEL Black Label  
playlist on YouTube